

## —Attachment 7—

### **The Special Operations Weather Specialty**

This attachment provides copies of pages from the Air Force's enlisted classification publications from September 1960 to 2017 (not inclusive) that are relevant to the establishing of the new never previously existing in any form Special Operations Weather specialty. Although the first appearance of Special Operations Weather Team Special experience identifier (SEI 800) appears circa 1983 and subsequently circa 2006 as a subset of the enlisted Weather specialty's Advanced Battlefield Airman C suffix no definitive identification of necessary required level of experience, skill set competencies, or stipulation of mission-ready or operational-ready status requirements.

Adequate training and timely progression from entry unskilled level, to semi-skilled (3-skill) level to skilled (5-skill and 7-skill) level is critical to units having ability to accomplish assigned missions. The establishing of the new Special Operations Weather specialty effective May 5, 2008 brought with it the identification of necessary training and qualification requirements and implementation of a specialty career path.

**AIRMAN AIR FORCE SPECIALTY**  
**★WEATHER TECHNICIAN**

**1. SPECIALTY SUMMARY**

Presents weather briefings based upon centrally prepared forecasts and charts; analyzes weather data and charts, and operates weather radar; performs meteorological watch and prepares short range weather forecasts; and supervises weather personnel.

**2. DUTIES AND RESPONSIBILITIES**

a. *Presents weather briefings:* Briefs pilots and aircrews on current and forecast weather for all meteorological conditions which may be encountered during a proposed flight. Prepares flight folders, cross-sectional and cloud cover charts, and other graphic material designed to assist in conveying weather information to aircrew members.

b. *Performs meteorological watch and makes local short range forecasts:* Integrates centrally prepared analyses and prognoses and updates forecasts. Maintains continuous meteorological watch for any significant deviations from issued forecasts. Takes and interprets weather radar observations. When warranted, modifies local forecast for short periods of time.

c. *Analyzes meteorological charts and diagrams phenomena:* Analyzes surface and upper air charts by drawing isobar or contour lines to determine location and configuration of pressure systems. Locates fronts, jet streams, tropopause heights, and draws isolines of temperature, moisture, and wind

speed. Interprets various physical characteristics of air masses from atmospheric sounding data and computes such data as stability, energy content, condensation and lifting levels, thickness, and maximum and minimum temperatures. Integrates analysis, latest observations, and various forecasts in order to make best possible briefing.

d. *Performs climatological analyses:* Assembles, analyzes, and extracts pertinent information from historical weather records, geographical data, and weather charts and maps to be used in planning solutions to long-range weather problems, intelligence studies and historical weather research.

e. *Supervises weather personnel:* Plans and schedules workload and duty assignments of personnel, establishes local methods, standards, and procedures and evaluates performance of subordinates. Inspects and supervises maintenance of weather records, technical books, charts, and maps. Supervises and conducts on-the-job training.

**3. SPECIALTY QUALIFICATIONS**

a. *Education:* Knowledge of meteorology and physics of atmosphere and its phenomena; synoptic meteorology and air mass analysis; various code forms, symbols, and characters used in plotting weather maps, charts, and record forms; and interpretation and

encoding of data obtained by use of weather instruments, is *mandatory*. Attaining a qualifying score on the APT applicable to the specialty described herein satisfies these mandatory requirements.

b. *Experience:* Qualification as Weather

Observer is *mandatory*. In addition, experience in performing or supervising functions, such as climatological research, preparing weather charts and graphs or presenting weather briefings is *mandatory*.

c. *Training:*

(1) Completion of the Weather Technician Course is *mandatory*.

(2) Completion of a primary management course is desirable.

d. *Other:*

(1) Normal color vision as defined in AFM 160-1 is *mandatory*.

(2) Physical qualifications for aircrew duties in accordance with class III medical standards is *mandatory* when required to participate in frequent aerial flights. Aircrew training in aerial observer methods is also *mandatory* for such duty.

(3) Physical profile serial 222221 for field or base assignment is desirable. Visual acuity correctible to 20/20 with glasses is *mandatory*.

#### 4. SPECIALTY DATA

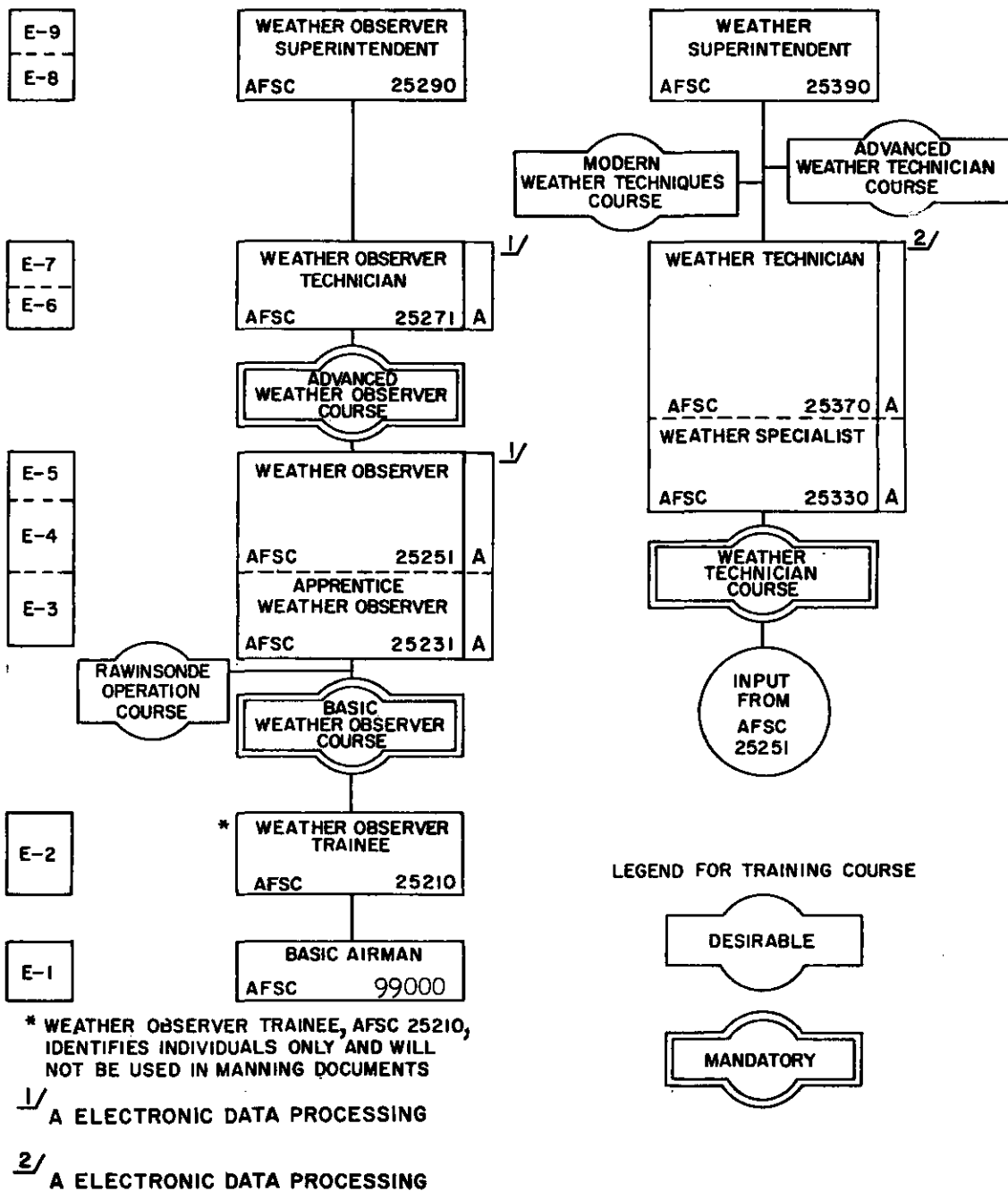
a. *Grade Spread:* Staff sergeant through master sergeant.

b. *Source Job (D.O.T.):*  
Meteorologist ----- 0-35.68

**Introduction**

**AIRMAN WEATHER CAREER FIELD (25)**

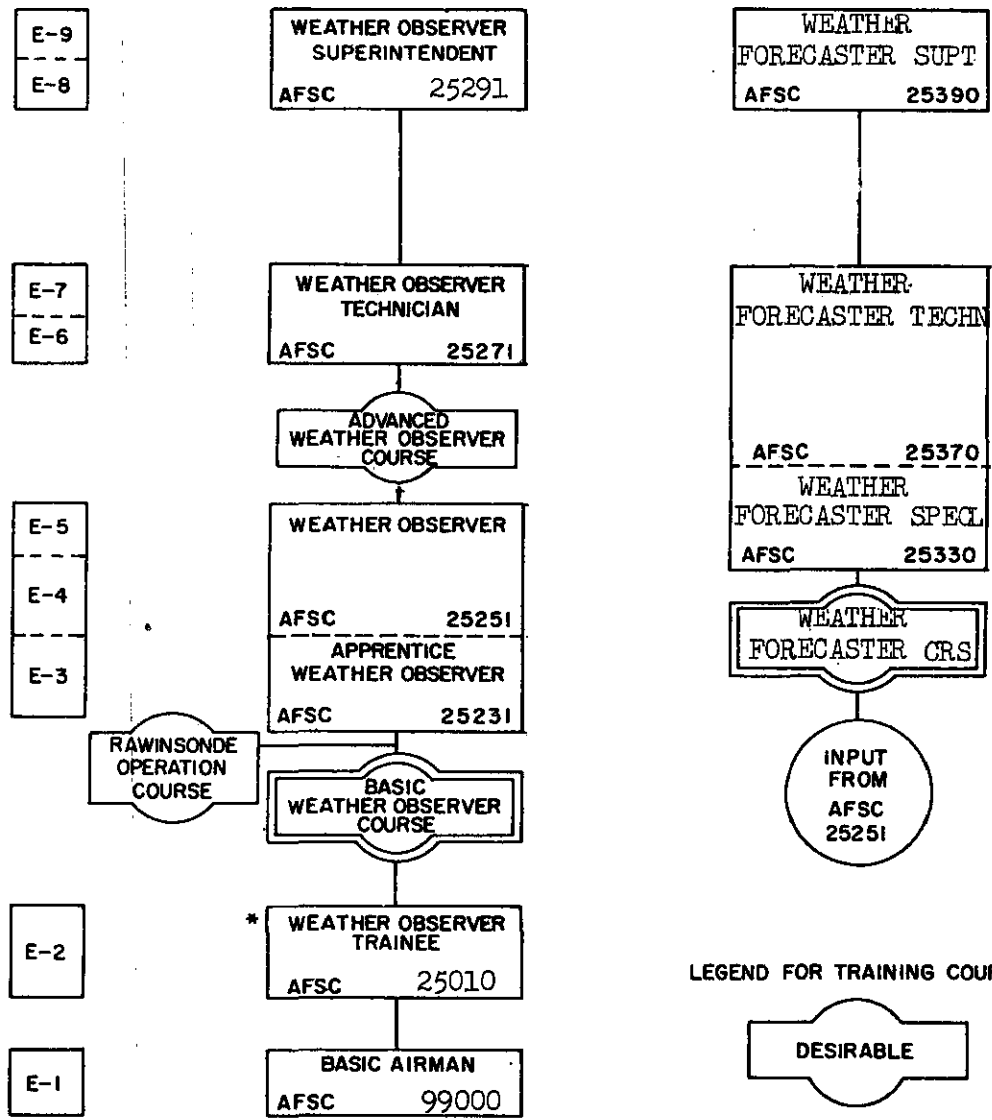
- 1.** The Airman Weather Career Field covers the techniques involved in collecting, recording, and analyzing meteorological and climatological data; making visual and instrument weather observations, including the use of radar equipment, interpreting weather codes, entering weather data on appropriate charts; forecasting short range weather conditions; and briefing aircrews on forecasts obtained through a central weather agency.
- 2.** Weather Observer Trainee, AFSC 25210, is intended to identify individuals only and will not be used in manning documents.
- 3.** Excluded is the organizational and field maintenance of electronic and other weather equipment. This function is included in the Airman Communications-Electronics Systems Career Field.



★Airman Weather Career Field Chart.

**Introduction****AIRMAN WEATHER CAREER FIELD (25)**

1. The Airman Weather Career Field covers the techniques involved in collecting, recording, and analyzing meteorological and climatological data; making visual and instrument weather observations, including the use of radar equipment, interpreting weather codes, entering weather data on appropriate charts; forecasting short range weather conditions; and briefing aircrews on forecasts obtained through a central weather agency.
2. Weather Observer Trainee, AFSC 25010, is intended to identify individuals only and will not be used in manning documents.
3. Excluded is the organizational and field maintenance of electronic and other weather equipment. This function is included in the Airman Communications-Electronics Systems Career Field.



\* Weather Observer Trainee, AFSC 25010, identifies individuals only and will not be used on manning documents.

**Airman Weather Career Field Chart.**

**AIRMAN AIR FORCE SPECIALTY****WEATHER OBSERVER SUPERINTENDENT****1. SPECIALTY SUMMARY**

Superintends ground and airborne weather observing activities.

**2. DUTIES AND RESPONSIBILITIES**

a. *Plans and organizes weather observer activities:* Establishes and prescribes operating schedules and procedures for observing, recording, plotting, and interpreting weather and meteorological elements. Schedule workloads and makes duty assignments. Monitors and evaluates performance of subordinate personnel. Designs and develops organizational structures. Determines requirements for equipment and supplies to insure efficient and continual operation of ground and airborne weather observer activities, based on operational requirements. Provides and accounts for equipment, supplies, and all other necessary facilities.

b. *Directs weather observer activities:* Checks organizational maintenance of weather instruments and electronic equipment. Controls data utilization and prepares data requirements. Establishes policies on methods and standards for implementation of observing, communications, and training directives. Inspects dropsonde or rawinsonde equipment to insure proper functioning.

c. *Establishes and conducts on-the-job training for weather observer personnel:* Instructs observer personnel in use of ground and airborne weather instruments, electronic weather equipment, weather communications equipment, and weather observing

techniques. Constructs observing aids and procedures to improve efficiency and resolve common problems. Instructs and superintends operation of dropsonde or rawinsonde equipment.

d. *Inspects and evaluates weather observer activities:* Conducts periodic inspections of activities pertaining to weather observing and recording of weather elements. Takes corrective action or makes necessary recommendations to officer in charge on results of inspections. Coordinates and maintains close liaison with agencies serviced to learn inadequacies and improve service rendered.

e. *Performs technical weather observer functions:* Provides technical supervision of electronic data processing weather functions. Assists in planning and maintaining efficient layout of EDP installations. Resolves technical problems. Measures, computes, and/or estimates meteorological elements by use of weather instruments and electronic equipment. Orients and operates dropsonde and rawinsonde equipment in determination of weather elements. Supervises plotting, charting, and diagraming of weather maps. Supervises maintenance and editing of weather records and data. Reviews and corrects all weather observations. Supervises filing and disposition of weather charts and records in accordance with directives.



### 3. SPECIALTY QUALIFICATIONS

a. *Knowledge*: Knowledge of synoptic meteorology, worldwide code forms, and communications circuitry; principles and operation of weather instruments and electronic equipment; interpretation of data obtained by use of weather and electronic equipment; and principles of weather equipment operation, including operating limits, optimum operating conditions, and power requirements, is *mandatory*.

b. *Education*: Completion of high school with courses in physics, geography, and mathematics is desirable.

c. *Experience*: Qualification as a Weather Observer Technician is *mandatory*. In addition, experience in directing functions such as calibrating dropsonde transmitters; in-

specting equipment or plotting and decoding weather data, operation of radar storm detection equipment and interpretation of scope presentations; and operation of rawinsonde and dropsonde equipment is *mandatory*.

d. *Training*: Completion of appropriate base level management course is desirable.

e. *Other*:

(1) Visual acuity correctible to 20/20 with glasses is *mandatory*.

(2) Physical qualification for aircrew duty in accordance with class III medical standards is *mandatory* when required to participate in frequent aerial flights.

(3) This AFSC may be awarded to WAF airmen.

### 4. SPECIALTY DATA

a. *Grade Spread*: Senior master sergeant and chief master sergeant.

b. *Related D.O.T. Jobs*:

General Foreman (Any Industry)	183.168
Weather Observer	025.288

Weather Chart Preparer	025.288
Weather Clerk	289.368
Meteorologist	025.088
Climatologist	025.088

c. *Related DOD Occupational Subgroup*:  
420

## AIRMAN AIR FORCE SPECIALTY

### WEATHER OBSERVER TECHNICIAN

#### 1. SPECIALTY SUMMARY

Observes and records weather elements; plots weather maps, charts, and diagrams; performs organizational preventive maintenance on electronic equipment and weather instruments; accomplishes supply and administrative functions; maintains and edits weather records and data; and supervises weather observer activities.

#### 2. DUTIES AND RESPONSIBILITIES

a. *Observes and records weather elements:* Measures, computes, and/or estimates meteorological elements by use of weather instruments and electronic equipment. Orients and operates rawinsonde and airborne meteorological equipment in determination of winds, pressure height, temperature, and moisture aloft in atmosphere. Operates airborne geophysical equipment. Operates radar storm detection equipment to include interpretation of scope presentations. Maintains vigilant terminal meteorological watch reporting, recording, and disseminating changes in weather elements. Encodes data for teletype and radio transmission.

b. *Plots weather maps, charts, and diagrams:* Decodes and plots international weather reports on surface synoptic, upper air and thermodynamic charts and diagrams. Corrects garbled teletype messages and obtains and plots late and off-time data. Applies conversion factors to standardize plotting elements. Initiates request for data required to complete maps and charts and fulfills forecaster requirements.

c. *Performs organizational preventive maintenance on weather instruments and electronic equipment:* Lubricates and adjusts moving parts, access to which does not disturb existing calibration. Installs minor

meteorological equipment. Maintains operating logs and maintenance records.

d. *Accomplishes supply and administrative functions:* Determines material requirements, conducts inventories, prepares requisitions, and maintains supply records. Prepares routine correspondence and maintains administrative files. Revises communications and operations manuals in accordance with new directives. Maintains records of training.

e. *Maintains and edits weather records and data:* Reviews and corrects weather observations. Tabulates routine climatological data. Verifies and corrects charts from weather recording equipment. Files and disposes of weather charts and records in accordance with directives.

f. *Supervises weather data processing:* Supervises team engaged in processing and checking weather data and associated job input to EDP weather systems. Develops, prepares, and issues routine technical computer programs including coding, specification of input/output formats, detailed flow chart preparation, block diagramming, and similar programming functions. Insures all machine products are meteorologically correct and meet technical requirements of using agencies.

*g. Supervises weather observer personnel:* Schedules workloads and makes duty assignments. Controls data utilization and prepares data requirements. Monitors and evaluates performance of observers and maintains records of efficiency. Constructs observing aids to include visibility check-point charts, station location, and sequency identifiers. Monitors organizational maintenance of weather instruments and electronic

equipment. Establishes detachment policies concerning methods and standards for implementation of weather observing, communications, and training directives. Performs liaison between detachment and communications agencies. Conducts on-the-job training for all observer personnel in use of weather instruments, electronic equipment, communications equipment, and observing techniques.

### 3. SPECIALTY QUALIFICATIONS

*a. Knowledge:*

(1) Knowledge of elementary synoptic meteorology, worldwide code forms, and communications circuitry; principles and operation of weather instruments and electronic equipment; and interpretation of data obtained by use of weather and electronic equipment is *mandatory*. Possession of mandatory knowledge will be determined in accordance with AFM 35-1.

(2) Knowledge of supply and administrative procedures applicable to detachment level and principles of personnel management is desirable.

*b. Education:* Completion of high school with courses in physics, geography, and mathematics is desirable.

*c. Experience:* Qualification as a Weather Observer is *mandatory*. In addition, exper-

ience in performing or supervising functions such as operation of rawinsonde, airborne meteorological, geophysical, and radar storm detection equipment, and the encoding of weather radar echoes is *mandatory*.

*d. Training:*

(1) Completion of an advanced weather observer course is desirable.

(2) Completion of appropriate base level management course is desirable.

*e. Other:*

(1) Visual acuity correctible to 20/20 with glasses is mandatory.

(2) Physical qualification for aircrew duty in accordance with class III medical standards is *mandatory* when required to participate in frequent aerial flights.

(3) This AFSC may be awarded to WAF airmen.

### 4. SPECIALTY DATA

*a. Grade Spread:* Technical sergeant and master sergeant.

*b. Related D.O.T. Jobs:*

Weather Observer ..... 025.288  
 Weather Chart Preparer ... 025.288

Meteorologist ..... 025.088  
 Climatologist ..... 025.088

*c. Related DOD Occupational Subgroup:*  
 420

**AIRMAN AIR FORCE SPECIALTY****WEATHER OBSERVER****1. SPECIALTY SUMMARY**

Observes and records weather elements; operates meteorological and electronic equipment; and performs organizational preventive maintenance.

**2. DUTIES AND RESPONSIBILITIES**

a. *Observes and records weather element:* Measures, computes, and/or estimates sky conditions, type, height, and amount of clouds, visibilities, wind velocities, pressures, and temperatures by use of instruments such as anemometers, thermometers, barometers, psychrometers, and ceilometers. Operates radar storm detection equipment to include interpretation of scope presentations. Understands and may operate rawinsonde, rocketsonde, and airborne observation equipment. Maintains vigilant terminal weather watch and reports. Records and disseminates changes accurately and expeditiously. Encodes data for radio and teletype transmissions.

b. *Plots weather maps, charts, and diagrams:* Decodes and plots international meteorological reports on surface synoptic, upper air and thermodynamic charts and diagrams to include land, ship spherics, aircraft reconnaissance, and upper air data. Obtains and plots late and off-time reports. Corrects garbled teletype messages. Applies conversion factors to standardize plotting elements.

c. *Summarizes observations to prepare historical weather records:* Computes arithmetically average daily maximum and minimum temperatures, relative humidities, and monthly summaries of winds, heights, and other data. Records computed data on standard forms. Posts weather data to include teletype data, pilot reports, radar reports, and severe weather warnings. Assembles

and stores in station files weather data and charts received and prepared.

d. *Performs organizational maintenance on weather instruments and electronic weather equipment:* Cleans dirt from external surfaces and internal surfaces readily accessible. Lubricates and adjusts moving parts such as pen arms, gears, shafts, and bearings, access to which does not disturb existing calibrations and adjustments. Replaces charts and graphs on recording equipment. Maintains operating logs and maintenance records. Operates teletype, facsimile, teleautograph, and duplicating equipment.

e. *Operates weather data processors and machines:* Obtains input weather data from communications personnel, checks for errors, and makes corrections. Sets up and operates EDPS machines. Monitors processing operations, determines causes of any malfunctions, and initiates immediate corrective actions. Prepares punched card and magnetic tape input. Checks, processes, and delivers computer prepared output for teletype and facsimile transmission. Posts machine-use logs and maintains cleanliness of equipment and working area.

f. *Supervises weather observer personnel:* Evaluates performance and verifies accuracy of work accomplished by apprentice weather observers. Administers all phases of on-the-job training to familiarize and improve performance of newly assigned personnel.

### 3. SPECIALTY QUALIFICATIONS

a. *Knowledge*: Knowledge of origin of weather conditions; operating principles of weather instruments and electronic weather equipment, requirements for their use, and organizational maintenance; interpreting readings and records obtained from weather instruments and electronic weather equipment; and encoding and decoding of meteorological data is *mandatory*. Possession of mandatory knowledge will be determined in accordance with AFM 35-1.

b. *Education*: Completion of high school, with courses in physics, geography, and mathematics is desirable.

c. *Experience*: Experience in functions such as observing, measuring, recording, and transmitting weather data; evaluating and plotting atmospheric soundings and adiabatic charts; or encoding weather data is mandatory.

d. *Training*:

(1) Completion of a basic weather observer course is *mandatory* prior to award of the Semiskilled AFSC.

(2) Completion of the rawinsonde operations course is desirable for those airmen assigned to duties involving the operation of rawinsonde, rocketsonde, or dropsonde.

e. *Other*:

(1) Visual acuity correctible to 20/20 with glasses is *mandatory*.

(2) Physical qualification for aircrew duty in accordance with class III medical standards is *mandatory* when required to participate in frequent aerial flights.

(3) A minimum aptitude level of General 80 is *mandatory*.

(4) This AFSC may be awarded to WAF airmen.

### 4. SPECIALTY DATA

a. *Grade Spread*:

Sergeant and staff	
sergeant .....	25251
Airman first class .....	25231

b. *Related D.O.T. Jobs*:

Weather Observer .....	025.288
------------------------	---------

Weather Chart Preparer ...	025.288
Weather Clerk .....	239.368
Meteorologist .....	025.088
Climatologist .....	025.088

c. *Related DOD Occupational Subgroup*:

420

**AIRMAN AIR FORCE SPECIALTY**  
**WEATHER FORECASTER SUPERINTENDENT**

**1. SPECIALTY SUMMARY**

Superintends weather forecaster activities.

**2. DUTIES AND RESPONSIBILITIES**

a. *Plans and organizes weather forecaster activities:* Establishes and prescribes operating schedules and procedures for weather forecasting functions. Schedules workloads and makes duty assignments. Designs and develops organizational structures. Determines requirements for equipment and supplies to insure efficient operation of weather forecasting activities, based on operational requirements. Provides and accounts for equipment, supplies, and all other necessary facilities.

b. *Directs weather forecaster activities:* Supervises preparation and maintenance of records and reports. Monitors and evaluates performance of subordinate personnel. Assigns and distributes workload and establishes priorities.

c. *Establishes and conducts on-the-job training for weather forecaster personnel:* Instructs forecaster personnel in the preparation of local short-range forecasts and analysis of meteorological charts and diagrams. Supervises and conducts on-the-job training. Supervises operation of weather radar and analysis of weather radar data.

d. *Inspects and evaluates weather forecaster activities:* Conducts periodic inspections of activities pertaining to weather forecasting. Takes corrective action or makes necessary recommendations to officer in charge on results of inspections. Coordinates and maintains close liaison with agencies serviced to learn inadequacies and improve service rendered.

e. *Performs technical weather forecaster functions:* Provides technical supervision of electronic data processing weather functions. Assists in planning and maintaining efficient layout of EDP installation. Presents weather briefings. Makes forecasts and maintains continuous meteorological watch for any significant deviations from issued forecasts. Integrates analyses and prognoses with latest observations and various forecasts in order to make best possible briefing. Takes and interprets weather radar observations. Analyzes meteorological charts and diagrams. Performs climatological analyses in planning solutions to long range weather problems, intelligence studies, and historical weather research.

**3. SPECIALTY QUALIFICATIONS**

a. *Knowledge:* Knowledge of meteorology and physics of atmosphere and its phenomena; synoptic meteorology and air mass analysis; various code forms, symbols, and

characters used in plotting weather maps, charts, and record forms; and interpretation and encoding of data obtained by use of weather instruments, is *mandatory*.

b. *Education*: Completion of high school with courses in physics, geography, and mathematics is desirable.

c. *Experience*: Qualification as a Weather Forecaster Technician is *mandatory*. In addition, experience in directing functions such as weather briefings, weather analysis, and weather radar operation is *mandatory*.

d. *Training*: Completion of appropriate base level management course is desirable.

e. *Other*:

(1) Visual acuity correctible to 20/20 with glasses is *mandatory*.

(2) Physical qualification for aircrew duty in accordance with class III medical standards is *mandatory* when required to participate in frequent aerial flights.

(3) This AFSC may be awarded to WAF airmen.

#### 4. SPECIALTY DATA

a. *Grade Spread*: Senior master sergeant and chief master sergeant.

b. *Related D.O.T. Jobs*:

General Foreman (Any  
Industry) ..... 183.168  
Weather Observer ..... 025.288

Weather Chart Preparer ... 025.288

Meteorologist ..... 025.088

Climatologist ..... 025.088

c. *Related DOD Occupational Subgroup*:  
420

**AIRMAN AIR FORCE SPECIALTY****WEATHER FORECASTER TECHNICIAN****1. SPECIALTY SUMMARY**

Presents weather briefings, analyzes weather data and charts, and operates weather radar; performs meteorological watch and prepares weather forecasts; performs space environmental forecasting function; and supervises weather forecaster activities.

**2. DUTIES AND RESPONSIBILITIES**

a. *Presents weather briefings:* Briefs pilots and aircrews on current and forecast weather for all meteorological conditions which may be encountered during proposed flight. Prepares flight folders, cross-sectional and cloud cover charts, and other graphic material designed to assist in conveying weather information to aircrew members.

b. *Performs meteorological watch and makes forecasts:* Integrates centrally prepared analysis and prognoses and makes and updates forecasts. Maintains continuous meteorological watch for any significant deviations from issued forecasts. Takes and interprets weather radar observations.

c. *Analyzes meteorological charts and diagrams phenomena:* Analyzes surface and upper air charts. Locates meteorological features such as fronts, jet streams, tropopause heights; draws isolines of temperature, moisture, and wind speed. Interprets various physical characteristics of air masses from atmospheric sounding data and computes such data as stability, energy content, condensation and lifting levels, thickness, and maximum and minimum temperatures. Integrates analysis, latest observations, and various forecasts in order to make best possible briefing.

d. *Performs climatological analyses:* Assembles, analyzes, and extracts pertinent information from historical weather records,

geographical data, and weather charts and maps to be used in planning solutions to long range weather problems, intelligence studies, and historical weather research.

e. *Performs space environmental forecasting:* Obtains, analyzes, and evaluates solar, geomagnetic, and satellite sensed data and provides tailored space environmental support to the user.

f. *Supervises weather data processing:* Supervises team engaged in processing and checking weather data and associated job input to EDP weather systems, and checking, assembling, and delivering output to proper agencies. Insures maximum adherence to optimum operating procedures. Develops, prepares, and issues routine technical computer programs including coding, specification of input/output formats, detailed flow chart preparation, block diagramming, and similar programming functions. Insures all machine products are meteorologically correct and meet technical requirements of using agencies.

g. *Supervises weather forecaster personnel:* Plans and schedules workload and duty assignments of personnel, establishes local methods, standards, and procedures, and evaluates performance of subordinates. Inspects and supervises maintenance of weather records, technical books, charts, and maps. Supervises and conducts on-the-job training.



### 3. SPECIALTY QUALIFICATIONS

a. *Knowledge*: Knowledge of meteorology and physics of atmosphere and its phenomena; synoptic meteorology and air mass analysis; various code forms, symbols, and characters used in plotting weather maps, charts, and record forms; and interpretation and encoding of data obtained by use of weather instruments is *mandatory*. Possession of mandatory knowledge will be determined in accordance with AFM 35-1.

b. *Education*: Completion of high school with courses in physics, geography, and mathematics is desirable.

c. *Experience*: Qualification as a Weather Observer is *mandatory*. In addition, experience in performing or supervising functions such as climatological research, preparing weather charts and graphs, or presenting weather briefings is *mandatory*.

d. *Training*:

(1) Completion of a weather forecaster course is *mandatory* prior to award of the Semiskilled AFSC.

(2) Completion of appropriate base level management course is desirable.

(3) Completion of a space environmental support course is desirable.

e. *Other*:

(1) A minimum aptitude level of General 80 is *mandatory*.

(2) Visual acuity correctible to 20/20 with glasses is *mandatory*.

(3) Physical qualification for aircrew duty in accordance with class III medical standards is *mandatory* when required to participate in frequent aerial flights.

(4) This AFSC may be awarded to WAF airmen.

### 4. SPECIALTY DATA

a. *Grade Spread*:

Technical sergeant and master  
sergeant ..... 25370  
Sergeant and staff sergeant .. 25330

b. *Related D.O.T. Jobs*:

General Foreman ..... 183.168  
Weather Observer ..... 025.288  
Weather Chart Preparer ... 025.288

c. *Related DOD Occupational Subgroup*:  
420

## WEATHER SEIs

SEI CODE	TITLE	EXPLANATION/DESIGNATION CRITERIA	AUTHORIZED AFSCs/ CEM CODES
752	Forecasting (RADAR)	Requires completion of a formal course in radar observing plus 12 months' experience in interpretation and operational use of weather radar and supervisor's recommendation.	251X0
753	Forecasting (Space Environment)	Requires 12 months' experience in Space Forecast Center, to include analysis of space environmental data and issuance of space environment forecasts and warnings, and supervisor's recommendation.	
754	Forecasting (Tropical)	Requires completion of course 30ZR2524-2 or 12 months' experience in forecasting weather phenomena in tropic regions and supervisor's recommendation.	
760	Observing (Rocketsonde)	Requires completion of rocketsonde indoctrination course and certification through operational rocketsonde firing plus 6 months' experience and supervisor's recommendation.	
761	Observing (Solar)	Requires 12 months' experience in operational use of a solar telescope (optical or radio) in observing and analysis, and supervisor's recommendation.	
762	Satellite Meteorology	Requires completion of a formal course in meteorological satellite systems and photo interpretation or 12 months' experience in analysis and interpretation of meteorological satellite visual and infrared imagery data and supervisor's recommendation.	
798	Observing (Rawinsonde)	Requires completion of a formal course plus 6 months' experience in operational use of rawinsonde equipment and supervisor's recommendation.	
*800	Special Operations Weather Team	Requires 6 months' experience and supervisor's recommendation.	

**WEATHER CAREER FIELD (1W)****Introduction**

The Weather Career Field covers the techniques involved in collecting, recording, and analyzing meteorological and climatological data; making visual and instrument weather observations, including using radar equipment, interpreting weather codes, and entering weather data on appropriate charts; forecasting weather conditions; and briefing aircrews on forecasts obtained through a central weather agency.

Excluded is the organizational and field maintenance of electronic and other weather equipment. This function is included in the Communications - Electronics Systems Career Field.

**CEM Code 1W000**  
**AFSC 1W091, Superintendent**  
**AFSC 1W071\*, Craftsman**

**Journeyman AFSC 1W051\***  
**Apprentice AFSC 1W031\***  
**Helper AFSC 1W011**

**WEATHER**

**1. Specialty Summary.** Performs and manages weather and space environmental functions, activities, and operations, including observing, analysis, and forecasting to support Air Force, Army, and DoD operations. Related DoD Occupational Subgroup: 420.

**2. Duties and Responsibilities:**

- 2.1. Observes and reports atmospheric and solar conditions using a variety of meteorological and space sensors and computer based communications systems.
- 2.2. Analyzes, assimilates, and interprets atmospheric and solar data measurements, and numerical models to prepare forecasts of expected weather and space environmental conditions using computer based systems. Disseminates environmental products to local and longline customers. Prepares and presents weather briefings to customers at all levels of operations and command.
- 2.3. Performs equipment operator maintenance functions according to directives and guidance on standard meteorological sensors and assigned equipment. Included are weather communications systems and tactical and deployable equipment.
- 2.4. Plans and organizes weather support operations. Determines support requirements and establishes weather activity policies. Determines and satisfies training requirements, mobility and in-station, to meet mission requirements.
- 2.5. Directs weather activities and operations. Incorporates management principles to ensure quality weather support, products, operations, and activities.
- 2.6. Coordinates and maintains liaison with other agencies to ensure weather support requirements are satisfied.

**3. Specialty Qualifications:**

- 3.1. Knowledge. Knowledge is mandatory of: characteristics, development, motion, and principles of the meteorological and solar environment, including analyzing, coding, disseminating, evaluating, and interpreting data; application, employment, and exploitation of fixed and deployable meteorological or solar sensing systems, communications systems, and centralized facilities; equipment and instrument operator maintenance functions; and deployment operations of tactical weather support systems.
- 3.2. Education. For entry into this specialty, completion of high school with courses in physics, chemistry, earth sciences, geography, and mathematics is desirable.
- 3.3. Training. Completion of the following training is mandatory for award of the AFSC indicated:
  - 3.3.1. 1W031. A basic weather course.
  - 3.3.2. 1W031A. An advanced weather technician course.
- 3.4. Experience. The following experience is mandatory for award of the AFSC indicated:
  - 3.4.1. 1W051. Qualification in and possession of AFSC 1W031. Also, experience performing functions such as: assessing, measuring, coding, disseminating, documenting, and plotting meteorological and solar data; or, operating and performing preventive maintenance on meteorological and solar equipment.
  - 3.4.2. 1W051A. Qualification in and possession of AFSC 1W031A. Also, experience performing functions such as analyzing, briefing, evaluating, interpreting, or predicting meteorological and space environmental phenomena.
  - 3.4.3. 1W071A. Qualification in and possession of AFSC 1W051A. Also, experience supervising meteorological and solar operations.
  - 3.4.4. 1W091. Qualification in and possession of AFSC 1W071A. Also, experience directing and managing meteorological and solar operations.
- 3.5. Other. The following are mandatory as indicated:
  - 3.5.1. For entry into this specialty:
    - 3.5.1.1. Normal color vision as defined in AFMAN 48-123 (formally AFR 160-43).
    - 3.5.1.2. Ability to speak distinctly.
  - 3.5.2. For entry, award, and retention of these AFSCs, visual acuity correctable to 20/20 with glasses.
  - 3.5.3. The 7-skill level AFSC is not authorized for use without suffix A.

**4. \* Specialty Shredouts**

<i>Suffix</i>	<i>Portion of AFS to Which Related</i>
A.....	Forecaster

**NOTE:** Suffix A is applicable only to the 3-, 5-, and 7-skill levels.

SEI Code	Title	Explanation/Designation Criteria	Authorized AFSCs/ CEM Codes
754	Forecasting (Tropical)	Requires completion of course C3OZR2524-002 (PDS code FDD) or 12 months' experience in forecasting weather phenomena in tropic regions, and supervisor's recommendation.	1W0X1A 1W091/00
761	Observing	Requires 12 months' experience in operational use of a solar telescope (optical or radio) in observing and analysis, and supervisor's recommendation.	
798	Observing (Rawinsonde)	Requires supervisor's recommendation and 6 month's experience to include a unit level training program on operational use of Rawinsonde equipment.	1WXXX
800	Special Operations Weather Team	Requires 6 months' experience and supervisor's recommendation.	
<b>MISSILE IDENTITY SEIs</b>			
809	Missile Electronic Equipment Maintenance	Requires supervisor's recommendation, 12 months' experience, and completion of one of the following courses: C3AZR41150A-000 (PDS code 6LA), C3AZR41150A-001 (PDS code 6K9), C3AZR41150A-002 (PDS code JM6), C3ABR31632G-001 (PDS code M53), C3ABR31632G-002 (PDS code E73), C3AZR41150B-002 (PDS code J5U), C3AZR46650-001 (PDS code J5U), or C3AZR31672T-000 (PDS code 2YC).  <i>NOTE:</i> For AFSCs 2M0X1A (formerly AFSCs 411X0A), the 12 months' experience must be obtained at a SAC ICBM electronic laboratory.	2M000 2M090 2M0X1A/B
828	MK-11 Reentry Vehicle	Requires supervisor's recommendation and either (1) 12 months' experience; or (2) formal training and 6 months' experience.	2W2XX
829	MK-12/12A Reentry System		
836	Munitions Inspector	Requires supervisor's recommendation and either (1) completion of the AETC Munitions Inspector course and 8 months' experience; or (2) 24 months' experience.	2W0XX

**Attachment 11****Weather Career Field (1W)****Introduction  
(Changed 30 Apr 99)**

The Weather Career Field covers the techniques involved in collecting, analyzing, and disseminating weather information, including forecasts of weather conditions in the atmosphere and space. Included are the use of weather observations, atmospheric and space sensing instruments, weather radar and satellite imagery, meteorological computer workstations, and products provided by military, national, and international weather centers. Support Air Force, Army, Joint, and DoD conventional and special operations at Air Force, Army, and deployed locations worldwide.

CEM Code 1W000  
 AFSC 1W091, Superintendent  
 AFSC 1W071\*, Craftsman  
 AFSC 1W051\*, Journeyman  
 AFSC 1W031\*, Apprentice  
 AFSC 1W011, Helper

**WEATHER**  
**(Changed 30 Apr 00)**

**1. Specialty Summary.** Performs and manages the collection, analysis, and forecast of atmospheric and space weather conditions, and the tailoring and communication of weather data. Related DoD Occupational Subgroup: 420.

**2. Duties and Responsibilities:**

- 2.1. Observes, records, and disseminates weather data and information. Uses fixed and deployable meteorological sensors to measure and evaluate atmospheric and space weather conditions.
- 2.2. Uses satellite and radar imagery, computer-generated graphics, and weather communication equipment and instruments to analyze atmospheric and space data and information.
- 2.3. Forecasts atmospheric and space weather conditions. Issues warnings and advisories to alert users to mission critical weather. Exploits weather analysis and data to enhance combat operations and training.
- 2.4. Tailors and communicates weather information to meet operational requirements.
- 2.5. Manages weather operations. Adapts weather resources to meet mission requirements. Ensures standardization and quality weather products, operations, and activities.

**3. Specialty Qualifications:**

- 3.1. Knowledge. Knowledge is mandatory of: combat weather skills; characteristics and principles of atmospheric and space weather; observation, analysis, prediction, and dissemination of weather information; operation of fixed and deployable meteorological or space weather systems; weather communications systems; use of weather products; and operator maintenance of weather equipment and instruments.
- 3.2. Education. For entry into this specialty, completion of high school with courses in physics, chemistry, earth sciences, geography, computer sciences, and mathematics is desirable.
- 3.3. Training. Completion of the following training is mandatory as indicated:
  - 3.3.1. For award of AFSC 1W031, completion of a weather apprentice course.
  - 3.3.2. For award of suffix A at the 3- or 5-skill level, completion of either the forecaster course or the weather forecaster apprentice course.
  - 3.3.3. For award of AFSC 1W071A, completion of the weather craftsman course.
- 3.4. Experience. The following experience is mandatory for award of the AFSC indicated:
  - 3.4.1. 1W051. Qualification in and possession of AFSC 1W031. Also, experience performing functions such as observing, analyzing, and disseminating atmospheric or space weather data and information; or performing meteorological watch.
  - 3.4.2. 1W051A. Qualification in and possession of AFSC 1W031A. Also, experience performing functions such as observing, forecasting, analyzing, and disseminating atmospheric or space weather data and information; or performing meteorological watch.
  - 3.4.3. 1W071A. Qualification in and possession of AFSC 1W051A. Also, experience performing functions such as forecasting or supervising space or atmospheric weather operations.
  - 3.4.4. 1W091. Qualification in and possession of AFSC 1W071A. Also, experience performing functions such as directing or managing atmospheric or space weather operations.
- 3.5. Other. The following are mandatory as indicated:
  - 3.5.1. **For entry into this specialty:**
    - 3.5.1.1. **Normal color vision as defined in AFI 48-123, *Medical Examination and Standards*.**
    - 3.5.1.2. **Ability to speak distinctly.**
    - ★3.5.1.3. See attachment 39 for additional Other entry requirements.
  - 3.5.2. For entry, award, and retention of these AFSCs:
    - 3.5.2.1. **Visual acuity correctable to 20/20.**
    - 3.5.2.2. Eligibility for a Secret security clearance according to AFI 31-501, *Personnel Security Management Program*, is mandatory.

4. \* Specialty Shredouts

<i>Suffix</i>	<i>Portion of AFS to Which Related</i>
A.....	Forecaster

**NOTE:** Suffix A is applicable only to the 3-, 5-, and 7-skill levels. The 7-skill level AFSC is not authorized for use without suffix A.



SEI Code	Title	Explanation/Designation Criteria	Authorized AFSCs/ CEM Codes		
753	Forecasting (Space Environment)	Requires 12 months of experience in the Space Forecast Center, to include analysis of space environmental data and issuance of space environment forecasts and warnings, and supervisor's recommendation.	1W0X1A	1W000	1W091
754	Forecasting (Tropical)	Requires completion of course C3OZR2524-002 (PDS code FDD) or 12 months experience in forecasting weather phenomena in tropic regions, and supervisor's recommendation.			
761	Observing	Requires 12 months of experience in operational use of a solar telescope (optical or radio) in observing and analysis, and supervisor's recommendation.			
798	Observing (Rawinsonde)	Requires supervisor's recommendation and 6 months experience to include a unit level training program on operational use of Rawinsonde equipment.	1WXXX		
800	Special Operations Weather Team	Requires 6 months of experience and supervisor's recommendation.			
<b>MISSILE IDENTITY SEIs</b>					
802	International Nuclear Treaty Inspector	Requires completion of the Defense Intelligence College Strategic Arms Reduction Treaty Course or assignment to the On-Site Inspection Agency.	2M0X0	2M0X2	
809	Missile Electronic Equipment Maintenance	Requires supervisor's recommendation, 12 months of experience, and completion of one of the following courses: C3AZR41150A-000 (PDS code 6LA), C3AZR41150A-001 (PDS code 6K9), C3AZR-41150A-002 (PDS code JM6), C3ABR31632G-001 (PDS code M53), C3ABR31632G-002 (PDS code E73), C3AZR41150B-002 (PDS code J5U), C3AZR-46650-001 (PDS code J5U), or C3AZR31672T-000 (PDS code 2YC).  <i>NOTE:</i> For AFSCs 2M0X1A, the 12 months of experience must be obtained at a ICBM electronic laboratory.	2M0X0	2M0X1	
828	MK-11/12A Reentry Vehicle	Requires supervisor's recommendation and either (1) 12 months of experience; or (2) formal training and 6 months of experience.	2W2XX		
829	MK-12/12A Reentry System				
836	Munitions Inspector	Requires supervisor's recommendation and either (1) completion of the AETC Munitions Inspector course and 8 months of experience; or (2) 24 months of experience.	2W0XX		

## Attachment 11

### WEATHER CAREER FIELD (1W)

#### Introduction

The Weather Career Field covers the techniques involved in collecting, analyzing, and disseminating weather information, including forecasts of weather conditions in the atmosphere and space. Included are the use of weather observations, atmospheric and space sensing instruments, weather radar and satellite imagery, meteorological computer workstations, and products provided by military, national, and international weather centers. Support Air Force, Army, Joint, and DoD conventional and special operations at Air Force, Army, and deployed locations worldwide.

**CEM Code 1W000****AFSC 1W091, Superintendent****AFSC 1W071\*, Craftsman****AFSC 1W051\*, Journeyman****AFSC 1W031\*, Apprentice****AFSC 1W011, Helper****WEATHER**

**1. Specialty Summary.** Performs and manages the collection, analysis, and forecast of atmospheric and space weather conditions, and the tailoring and communication of weather data. Related DoD Occupational Subgroup: 142000.

**2. Duties and Responsibilities.**

- 2.1. Observes, records, and disseminates weather data and information. Uses fixed and deployable meteorological sensors to measure and evaluate atmospheric and space weather conditions.
- 2.2. Uses satellite and radar imagery, computer-generated graphics, and weather communication equipment and instruments to analyze atmospheric and space data and information.
- 2.3. Forecasts atmospheric and space weather conditions. Issues warnings and advisories to alert users to mission critical weather. Exploits weather analysis and data to enhance combat operations and training.
- 2.4. Tailors and communicates weather information to meet operational requirements.
- 2.5. Manages weather operations. Adapts weather resources to meet mission requirements. Ensures standardization and quality weather products, operations, and activities.

**3. Specialty Qualifications.**

- 3.1. Knowledge. Knowledge is mandatory of combat weather skills; characteristics and principles of atmospheric and space weather; observation, analysis, prediction, and dissemination of weather information; operation of fixed and deployable meteorological or space weather systems; weather communications systems; use of weather products; and operator maintenance of weather equipment and instruments.
- 3.2. Education. For entry into this specialty, completion of high school with courses in physics, chemistry, earth sciences, geography, computer sciences, and mathematics is desirable.
- 3.3. Training. Completion of the following training is mandatory as indicated:
  - 3.3.1. For award of AFSC 1W031, completion of a weather apprentice course.
  - 3.3.2. For award of suffix A at the 3- or 5-skill level, completion of either the forecaster course or the weather forecaster apprentice course.

3.3.3. For award of AFSC 1W071A, completion of the weather craftsman course.

3.4. Experience. The following experience is mandatory for award of the AFSC indicated:

3.4.1. 1W051. Qualification in and possession of AFSC 1W031. Also, experience performing functions such as observing, analyzing, and disseminating atmospheric or space weather data and information; or performing meteorological watch.

3.4.2. 1W051A. Qualification in and possession of AFSC 1W031A. Also, experience performing functions such as observing, forecasting, analyzing, and disseminating atmospheric or space weather data and information; or performing meteorological watch.

3.4.3. 1W071A. Qualification in and possession of AFSC 1W051A. Also, experience performing functions such as forecasting or supervising space or atmospheric weather operations.

3.4.4. 1W091. Qualification in and possession of AFSC 1W071A. Also, experience performing functions such as directing or managing atmospheric or space weather operations.

3.5. Other. The following are mandatory as indicated:

3.5.1. For entry into this specialty:

3.5.1.1. Normal color vision as defined in AFI 48-123, *Medical Examination and Standards*.

3.5.1.2. Ability to speak distinctly.

3.5.1.3. See **Attachment 39** for additional entry requirements.

3.5.2. For entry, award, and retention of these AFSCs:

3.5.2.1. Visual acuity correctable to 20/20.

3.5.2.2. Specialty requires routine access to Secret material or similar environment. For award and retention of AFSCs 1W0XXX completion of a current National Agency Check, Local Agency Checks and Credit (NACLCL) according to AFI 31-501, *Personnel Security Program Management*.

**NOTE:** Award of the 3-skill level without a completed NACLCL is authorized provided an interim NACLCL has been granted according to AFI 31-501.

**4. \* Specialty Shredouts.**

*Suffix*

*Portion of AFSC to Which Related*

A.....Forecaster

**NOTE:** Suffix A is applicable only to the 3-, 5-, and 7-skill levels. The 7-skill level AFSC is not authorized for use without suffix A.

## WEATHER CAREER FIELD (1W)

### Introduction

Individuals in the Weather career field collect, analyze, predict, tailor, and integrate weather and space environmental information, including forecasts of conditions, to provide decision-quality information on environmental impacts to Air Force, Army, Joint and Coalition operations. They operate meteorological equipment and employ computer workstations to interrogate current and forecast atmospheric and space weather conditions based on observations, terrestrial and space sensing instruments, weather radars, data and imagery from geostationary and polar orbiting satellites, and forecast data provided by military, national, and international weather centers. Air Force weather personnel are attached or assigned to Air Force, Army, Joint, or coalition conventional and special operations at garrison and expeditionary locations worldwide. Qualified volunteers may perform airborne and special operations duty in this career field. **Weather is a Battlefield Airman (BA) career field according to AFD 10-35, *Battlefield Airmen*.**

**CEM Code 1W000**  
**AFSC 1W091, Superintendent**  
**AFSC 1W071\*, Craftsman**  
**AFSC 1W051\*, Journeyman**  
**AFSC 1W031\*, Apprentice**  
**AFSC 1W011\*, Helper**

**WEATHER**  
**(Changed 31 Oct 06)**

**1. Specialty Summary.** Performs and manages the collection, analysis, and forecast of atmospheric weather and space environmental conditions. Tailors forecast information for integration into military decision-making and intelligence preparation of the battlespace activities. Related DoD Occupational Subgroup: 142000.

**2. Duties and Responsibilities:**

- 2.1. Collect, analyze and integrate atmospheric and space environmental information into military decision-making processes.
- 2.2. Observe current environmental conditions. Evaluate, record and transmit surface weather and space environment observations.
- 2.3. Operate atmospheric and space-sensing instruments and computer workstations to interrogate data from weather radars, meteorological satellites, and products provided by military, national, and international weather agencies.
- 2.4. Use a detailed understanding of the atmosphere and space environment to translate raw data into decision-quality environmental information.
- 2.5. Issue advisories, watches and warnings to alert users of dangerous or inclement terrestrial and space weather events.
- 2.6. Understand war fighter tactics, techniques and procedures. Integrate weather information into the decision-making process at all levels to mitigate and leverage weather impact on operations.
- 2.7. Manage weather operations, ensure quality, and adapt resources to meet mission requirements.

**3. Specialty Qualifications.**

- 3.1. Knowledge. This specialty requires knowledge of: characteristics and principles of atmospheric weather and space environment; observation, analysis, prediction, and integration of weather and space environment information; operation and operator maintenance of fixed and deployable meteorological and space weather instruments and systems; operation and operator maintenance of communications and computer systems; use of weather products from operational and strategic centers; military weapons systems and decision-making processes; and combat field skills (ability to survive and operate on the battlefield and use of tactical equipment).
- 3.2. Education. For entry into this specialty, a high school diploma or equivalent is required. Courses in physics, chemistry, earth sciences, geography, computer sciences, and mathematics are desirable.
- 3.3. Training. Completion of the following training is mandatory:
  - 3.3.1. For award of AFSC 1W031, completion of the weather initial skills course.
  - 3.3.2. For award of AFSC 1W031B:
    - 3.3.2.1. Completion of Common Battlefield Airman Training (CBAT).
    - 3.3.2.2. Completion of Level C Survival, Escape, Resistance and Evasion (SERE) training.
    - 3.3.2.3. Completion of Staff Weather Officer Course.
  - 3.3.3. For award of AFSC 1W031C:
    - 3.3.3.1. Completion of Common Battlefield Airman Training (CBAT).
    - 3.3.3.2. Completion of Level C Survival, Escape, Resistance and Evasion (SERE) training.
    - 3.3.3.3. Completion of the Airborne Parachutist Course.
- 3.4. Experience. The following experience is mandatory for award of the AFSC indicated:
  - 3.4.1. 1W051X. Qualification in and possession of AFSC 1W031X. Also, experience in collecting and analyzing atmospheric data, performing meteorological watch, preparing forecast products, and issuing weather watches, warnings, and advisories.
  - 3.4.2. 1W071X. Qualification in and possession of AFSC 1W051X. Also, experience in forecasting local area and mesoscale weather features, determining weather effects on weapons systems, and preparing and delivering weather briefings and mission execution forecasts.

3.4.3. 1W091. Qualification in and possession of AFSC 1W071X. Also, experience in scheduling personnel, providing technical leadership and training, tailoring unit capabilities, and managing weather resources to meet mission requirements.

3.5. Other. The following are mandatory as indicated:

3.5.1. For entry into this specialty:

3.5.1.1. Ability to speak distinctly.

3.5.1.2. For entry and award of B and C suffixes, ability to meet physical entry and exit requirements of CBAT Course.

3.5.1.2. See attachment 4 for additional entry requirements.

3.5.2. For entry, award and retention of these AFSCs:

3.5.2.1. Visual acuity correctable to 20/20.

3.5.2.2. For entry and award of C suffix, ability to meet physical qualifications for parachute duty according to AFI 48-123, *Medical Examinations and Standards*.

3.5.2.4. Specialty requires routine access to Secret material or similar environment. Award and retention of AFSCs requires completion of a current National Agency Check, Local Agency Checks and Credit (NACLIC) according to AFI 31-501, *Personnel Program Management*.

**NOTE:** Award of the 3-skill level without a completed NACLIC is authorized provided an interim Secret security clearance has been granted according to AFI 31-501.

3.5.2.5. For award and retention of AFSCs 1W051/71/91/00, must maintain an Air Force Network License according to AFI 33-115, Vol 2, *Licensing Network Users and Certifying Network Professionals*.

**4. Specialty Shredouts:**

*Suffix*

*Portion of AFS to Which Related*

B ..... Battlefield Airman

C ..... Advanced Battlefield Airman

**NOTE 1:** Suffix B and C are applicable only to the 1-, 3-, 5-, and 7-skill levels.

**NOTE 2:** Special Operations Weather Team (SOWT) airmen are a subset of suffix C, Advanced Battlefield Airman, and may require additional, unit or mission unique training.

SEI Code	Title	Explanation/Designation Criteria	Authorized AFSCs/ CEM Codes		
761	Observing (Space Environment)	Requires 12 months of experience in operational use of a solar telescope (optical or radio) in observing and analysis, and supervisor's recommendation.	1W0X1	1W000	1W091
800	Special Operations Weather Team (SOWT)	Requires fully mission qualified status for SOWT mission and supervisor's recommendation.	1WXXX		
<b>MISSILE IDENTITY SEIs</b>					
802	International Nuclear Treaty Inspector	Requires completion of the Defense Intelligence College Strategic Arms Reduction Treaty Course or assignment to the On-Site Inspection Agency.	2M0X0	2M0X2	
809	Missile Electronic Equipment Maintenance	Requires supervisor's recommendation, 12 months of experience, and completion of one of the following courses: C3AZR41150A-000 (PDS code 6LA), C3AZR41150A-001 (PDS code 6K9), C3AZR-41150A-002 (PDS code JM6), C3ABR31632G-001 (PDS code M53), C3ABR31632G-002 (PDS code E73), C3AZR41150B-002 (PDS code J5U), C3AZR-46650-001 (PDS code J5U), or C3AZR31672T-000 (PDS code 2YC), V3AZR2M051 002 (PDS Code C02) or V3AZR2M051-001 (PDS Code 40F), V3AZR2M051088A PDS code (02) or V3AZR2M051089A (PDS code 40F). <b>NOTE:</b> For AFSCs 2M0X1A, the 12 months of experience must be obtained at a ICBM electronic laboratory.	2M0X0	2M0X1	
828	MK-12A Reentry Vehicle	Requires supervisor's recommendation, former or current weapon system JQS qualification and certification, and 12 months experience as a team member or team chief.	2W2XX		
829	MMIII Reentry System				
830	MK-12 Reentry Vehicle				
831	MK-21 Reentry Vehicle				
836	Munitions Inspector	Requires supervisor's recommendation and either (1) completion of the AETC Munitions Inspector course and 8 months of experience; or (2) 24 months of experience.	2W0XX		
★857	WS-133B (Minuteman)	Requires 6 months of experience and supervisor's recommendation.	2A600	2A790	2A7X3
★858	WS-133A/M (Minuteman)		2E000	2E1XX	2E290
			2E1X1	2E6X2	2E6X3
			2M0XX	2RXXX	3E000
			3E090	3E0X1	3E0X2
			3E1X1		
861	AGM 86B/C/D	Requires 12 months ALCM/CALCM maintenance experience and supervisor's recommendation.	2M090	2M0X1	



## WEATHER CAREER FIELD (1W)

### Introduction

Individuals in the Weather career field collect, analyze, predict, tailor, and integrate weather and space environmental information, including forecasts of conditions, to provide decision-quality information on environmental impacts to Air Force, Army, Joint and Coalition operations. They operate meteorological equipment and employ computer workstations to interrogate current and forecast atmospheric and space weather conditions based on observations, terrestrial and space sensing instruments, weather radars, data and imagery from geostationary and polar orbiting satellites, and forecast data provided by military, national, and international weather centers. Air Force weather personnel are attached or assigned to Air Force, Army, Joint, or coalition conventional and special operations at garrison and expeditionary locations worldwide. Qualified volunteers may perform airborne and special operations duty in this career field. Weather is a Battlefield Airman (BA) career field according to AFD 10-35, *Battlefield Airmen*.

**CEM Code 1W000**  
**AFSC 1W091, Superintendent**  
**AFSC 1W071\*, Craftsman**  
**AFSC 1W051\*, Journeyman**  
**AFSC 1W031\*, Apprentice**  
**AFSC 1W011\*, Helper**

**WEATHER**  
**(Changed 31 Oct 06)**

**1. Specialty Summary.** Performs and manages the collection, analysis, and forecast of atmospheric weather and space environmental conditions. Tailors forecast information for integration into military decision-making and intelligence preparation of the battlespace activities. Related DoD Occupational Subgroup: 142000.

**2. Duties and Responsibilities:**

- 2.1. Collect, analyze and integrate atmospheric and space environmental information into military decision-making processes.
- 2.2. Observe current environmental conditions. Evaluate, record and transmit surface weather and space environment observations.
- 2.3. Operate atmospheric and space-sensing instruments and computer workstations to interrogate data from weather radars, meteorological satellites, and products provided by military, national, and international weather agencies.
- 2.4. Use a detailed understanding of the atmosphere and space environment to translate raw data into decision-quality environmental information.
- 2.5. Issue advisories, watches and warnings to alert users of dangerous or inclement terrestrial and space weather events.
- 2.6. Understand war fighter tactics, techniques and procedures. Integrate weather information into the decision-making process at all levels to mitigate and leverage weather impact on operations.
- 2.7. Manage weather operations, ensure quality, and adapt resources to meet mission requirements.

**3. Specialty Qualifications.**

- 3.1. Knowledge. This specialty requires knowledge of: characteristics and principles of atmospheric weather and space environment; observation, analysis, prediction, and integration of weather and space environment information; operation and operator maintenance of fixed and deployable meteorological and space weather instruments and systems; operation and operator maintenance of communications and computer systems; use of weather products from operational and strategic centers; military weapons systems and decision-making processes; and combat field skills (ability to survive and operate on the battlefield and use of tactical equipment).
- 3.2. Education. For entry into this specialty, a high school diploma or equivalent is required. Courses in physics, chemistry, earth sciences, geography, computer sciences, and mathematics are desirable.
- 3.3. Training. Completion of the following training is mandatory:
  - 3.3.1. For award of AFSC 1W031, completion of the weather initial skills course.
  - 3.3.2. For award of AFSC 1W031B:
    - 3.3.2.1. Completion of Common Battlefield Airman Training (CBAT).
    - 3.3.2.2. Completion of Level C Survival, Escape, Resistance and Evasion (SERE) training.
    - 3.3.2.3. Completion of Staff Weather Officer Course.
  - 3.3.3. For award of AFSC 1W031C:
    - 3.3.3.1. Completion of Common Battlefield Airman Training (CBAT).
    - 3.3.3.2. Completion of Level C Survival, Escape, Resistance and Evasion (SERE) training.
    - 3.3.3.3. Completion of the Airborne Parachutist Course.
- 3.4. Experience. The following experience is mandatory for award of the AFSC indicated:
  - 3.4.1. 1W051X. Qualification in and possession of AFSC 1W031X. Also, experience in collecting and analyzing atmospheric data, performing meteorological watch, preparing forecast products, and issuing weather watches, warnings, and advisories.
  - 3.4.2. 1W071X. Qualification in and possession of AFSC 1W051X. Also, experience in forecasting local area and mesoscale weather features, determining weather effects on weapons systems, and preparing and delivering weather briefings and mission execution forecasts.

3.4.3. 1W091. Qualification in and possession of AFSC 1W071X. Also, experience in scheduling personnel, providing technical leadership and training, tailoring unit capabilities, and managing weather resources to meet mission requirements.

3.5. Other. The following are mandatory as indicated:

3.5.1. For entry into this specialty:

3.5.1.1. Ability to speak distinctly.

3.5.1.2. For entry and award of B and C suffixes, ability to meet physical entry and exit requirements of CBAT Course.

3.5.1.2. See attachment 4 for additional entry requirements.

3.5.2. For entry, award and retention of these AFSCs:

3.5.2.1. Visual acuity correctable to 20/20.

3.5.2.2. For entry and award of C suffix, ability to meet physical qualifications for parachute duty according to AFI 48-123, *Medical Examinations and Standards*.

3.5.2.4. Specialty requires routine access to Secret material or similar environment. Award and retention of AFSCs requires completion of a current National Agency Check, Local Agency Checks and Credit (NACLIC) according to AFI 31-501, *Personnel Program Management*.

**NOTE:** Award of the 3-skill level without a completed NACLIC is authorized provided an interim Secret security clearance has been granted according to AFI 31-501.

3.5.2.5. For award and retention of AFSCs 1W051/71/91/00, must maintain an Air Force Network License according to AFI 33-115, Vol 2, *Licensing Network Users and Certifying Network Professionals*.

**4. Specialty Shredouts:**

<i>Suffix</i>	<i>Portion of AFS to Which Related</i>
B .....	Battlefield Airman
C .....	Advanced Battlefield Airman

**NOTE 1:** Suffix B and C are applicable only to the 1-, 3-, 5-, and 7-skill levels.

**NOTE 2:** Special Operations Weather Team (SOWT) airmen are a subset of suffix C, Advanced Battlefield Airman, and may require additional, unit or mission unique training.

SEI Code	Title	Explanation/Designation Criteria	Authorized AFSCs/ CEM Codes		
761	Observing (Space Environment)	Requires 12 months of experience in operational use of a solar telescope (optical or radio) in observing and analysis, and supervisor's recommendation.	1W0X1	1W000	1W091
800	Special Operations Weather Team (SOWT)	Requires fully mission qualified status for SOWT mission and supervisor's recommendation.	1WXXX		
<b>MISSILE IDENTITY SEIs</b>					
802	International Nuclear Treaty Inspector	Requires completion of the Defense Intelligence College Strategic Arms Reduction Treaty Course or assignment to the On-Site Inspection Agency.	2M0X0	2M0X2	
809	Missile Electronic Equipment Maintenance	Requires supervisor's recommendation, 12 months of experience, and completion of one of the following courses: C3AZR41150A-000 (PDS code 6LA), C3AZR41150A-001 (PDS code 6K9), C3AZR-41150A-002 (PDS code JM6), C3ABR31632G-001 (PDS code M53), C3ABR31632G-002 (PDS code E73), C3AZR41150B-002 (PDS code J5U), C3AZR-46650-001 (PDS code J5U), or C3AZR31672T-000 (PDS code 2YC), V3AZR2M051 002 (PDS Code C02) or V3AZR2M051-001 (PDS Code 40F), V3AZR2M051088A PDS code (02) or V3AZR2M051089A (PDS code 40F). <b>NOTE:</b> For AFSCs 2M0X1A, the 12 months of experience must be obtained at a ICBM electronic laboratory.	2M0X0	2M0X1	
828	MK-12A Reentry Vehicle	Requires supervisor's recommendation, former or current weapon system JQS qualification and certification, and 12 months experience as a team member or team chief.	2W2XX		
829	MMIII Reentry System				
830	MK-12 Reentry Vehicle				
831	MK-21 Reentry Vehicle				
836	Munitions Inspector	Requires supervisor's recommendation and either (1) completion of the AETC Munitions Inspector course and 8 months of experience; or (2) 24 months of experience.	2W0XX		
857	WS-133B (Minuteman)	Requires 6 months of experience and supervisor's recommendation.	2A600	2A790	2A7X3
858	WS-133A/M (Minuteman)		2E000	2E1XX	2E290
			2E1X1	2E6X2	2E6X3
			2M0XX	2RXXX	3E000
			3E090	3E0X1	3E0X2
			3E1X1		
861	AGM 86B/C/D	Requires 12 months ALCM/CALCM maintenance experience and supervisor's recommendation.	2M090	2M0X1	

SEI Code	Title	Explanation/Designation Criteria	Authorized AFSCs/ CEM Codes		
753	Forecasting (Space Environment)	Requires 12 months of experience in the Space Forecast Center, to include analysis of space environmental data and issuance of space environment forecasts and warnings, and supervisor's recommendation.	1W0X1A	1W000	1W091
754	Forecasting (Tropical)	Requires completion of course C3OZR2524-002 (PDS code FDD) or 12 months experience in forecasting weather phenomena in tropic regions, and supervisor's recommendation.			
761	Observing	Requires 12 months of experience in operational use of a solar telescope (optical or radio) in observing and analysis, and supervisor's recommendation.			
798	Observing (Rawinsonde)	Requires supervisor's recommendation and 6 months experience to include a unit level training program on operational use of Rawinsonde equipment.	1WXXX		
800	Special Operations Weather Team	Requires 6 months of experience and supervisor's recommendation.			
<b>MISSILE IDENTITY SEIs</b>					
802	International Nuclear Treaty Inspector	Requires completion of the Defense Intelligence College Strategic Arms Reduction Treaty Course or assignment to the On-Site Inspection Agency.	2M0X0	2M0X2	
809	Missile Electronic Equipment Maintenance	Requires supervisor's recommendation, 12 months of experience, and completion of one of the following courses: C3AZR41150A-000 (PDS code 6LA), C3AZR41150A-001 (PDS code 6K9), C3AZR-41150A-002 (PDS code JM6), C3ABR31632G-001 (PDS code M53), C3ABR31632G-002 (PDS code E73), C3AZR41150B-002 (PDS code J5U), C3AZR-46650-001 (PDS code J5U), or C3AZR31672T-000 (PDS code 2YC).  <i>NOTE:</i> For AFSCs 2M0X1A, the 12 months of experience must be obtained at a ICBM electronic laboratory.	2M0X0	2M0X1	
828	MK-11/12A Reentry Vehicle	Requires supervisor's recommendation and either (1) 12 months of experience; or (2) formal training and 6 months of experience.	2W2XX		
829	MK-12/12A Reentry System				
836	Munitions Inspector	Requires supervisor's recommendation and either (1) completion of the AETC Munitions Inspector course and 8 months of experience; or (2) 24 months of experience.	2W0XX		

**AFSC 1W092, Superintendent**  
**AFSC 1W072, Craftsman**  
**AFSC 1W052, Journeyman**  
**AFSC 1W032, Apprentice**  
**AFSC 1W012, Helper**

**SPECIAL OPERATIONS WEATHER**  
**(Effective 31 Aug 09)**

**1. Specialty Summary.** Performs, plans, leads, supervises, instructs, and evaluates Special Operations Weather Teams. May be employed alone or as part of an Air Force, joint, interagency or coalition force, to support Combatant Commander's objectives and may operate under austere conditions for extended periods. Capable of operating in the six geographic disciplines: mountain, desert, arctic, urban, jungle and water, day or night, to include friendly, denied, hostile, or sensitive areas. Provides tactical-level intelligence, surveillance and reconnaissance to enable decision superiority and application of airpower across the full spectrum of military operations. Performs and manages the collection, analysis, and forecast of meteorological, oceanographic and space environmental conditions. Tailors forecast information for integration into military decision-making and intelligence preparation of the battlespace activities. Related DoD Occupational Subgroup: 142000.

**2. Duties and Responsibilities:**

- 2.1. Collect, analyze, tailor and integrate meteorological, oceanographic and space environmental information from data sparse, non-permissive, hostile and data denied areas into military decision-making processes.
- 2.2. Observes current environmental conditions. Evaluates, records and transmits surface weather, oceanographic, geographic, riverine and space environment observations.
- 2.3. Operates atmospheric and space-sensing instruments and computer workstations to interrogate data from weather radars, meteorological satellites, and products provided by military, national, and international weather agencies.
- 2.4. Uses detailed understanding of the atmosphere and space environment to translate raw data into actionable, decision-quality environmental information.
- 2.5. Observes and forecasts meteorological and oceanographic conditions from data sparse, non-permissive, hostile and data denied locations. Issues advisories, watches and warnings to alert combatant commanders of dangerous or inclement terrestrial and space environmental events.
- 2.6. Understands war fighter tactics, techniques and procedures. Integrates weather information into the decision-making process at all levels to mitigate and exploit environmental information on operations to maximize combat power.
- 2.7. Manages environmental collection operations, ensures quality, and adapts and manages resources to meet mission requirements.
- 2.8. Recognizes and exploits environmental analysis and data to enhance training and combat operations.
- 2.9. Performs tactical mission planning and preparation. Participates in Military Decision Making Process. Briefs joint force commanders and staff on environmental predictions affecting operations. Prepares personnel and equipment for military operations.
- 2.10. Conducts reconnaissance and surveillance of routes, areas, zones and objectives of interest. Operates, emplaces and services ground based sensors and utilizes unmanned aerial systems to support reconnaissance. Reports current battlefield information.
- 2.11. Deploys into semi- and non-permissive forward areas and forward operating locations by land (mounted, special purpose vehicle or dismounted), sea (surface or subsurface naval vessel, small watercraft, or surface swim) or air (parachute, airmobile, air-land) to participate in the full spectrum of military operations to include air expeditionary force, force projection, direct action, counterterrorism, counter-proliferation, foreign internal defense, humanitarian assistance, special reconnaissance, personnel recovery, noncombatant evacuation operations, counter narcotic, operational preparation of the environment, and advanced force operations. Uses demolitions to create or remove obstacles to maneuver and to prepare tactical sites. Maintains qualification on primary assigned weapons.

**3. Specialty Qualifications.**

3.1. Knowledge. This specialty requires knowledge of: mission planning and preparation; reconnaissance principles and procedures; aircraft flight characteristics; map, aeronautical chart, and publication use; survival techniques; night vision equipment, GPS and other operational equipment; joint service operations; navigation techniques; movement and route selection; alternate insertion and extraction methods; parachute procedures and equipment; small unit tactics; amphibious operations; small arms and crew served weaponry; destructive demolition applications; communications and signaling; antenna theory; photographic documentation; legal responsibilities and ethics; vehicle operations; individual fitness; characteristics and principles of the terrestrial and space environments; observation, analysis, prediction, and integration of terrestrial and space environment information with and without detailed data; operation and operator maintenance of fixed

and deployable meteorological and space weather instruments and systems; operation and operator maintenance of communications and computer systems; use of weather products from operational and strategic centers; and military weapons systems and decision-making processes.

3.2. Education. For entry into this specialty, a high school diploma or equivalent is required. Courses in physics, chemistry, earth sciences, geography, computer sciences, and mathematics are desirable.

3.3. Training. Completion of the following training is mandatory:

3.3.1. For award of AFSC 1W032, completion of the following formal courses:

3.3.1.1. Special Operations Weather Selection Course.

3.3.1.2. Special Operations Weather Course.

3.3.1.3. Airborne Parachutist Course.

3.3.1.4. Level C Survival, Evasion, Resistance and Escape training.

3.3.1.5. Water Survival Course.

3.3.1.6. Underwater Egress Training Course.

3.3.1.7. Special Operations Weather Apprentice Course.

3.4. Experience. The following experience is mandatory for award of the 1W0X2 AFSC:

3.4.1. 1W052. Qualification in and possession of AFSC 1W032. Also, experience in reconnaissance surveillance, combat enabling tasks, experience in collecting and analyzing environmental data, performing meteorological watch, preparing forecast products, and issuing weather watches, warnings, and advisories.

3.4.2. 1W072. Qualification in and possession of AFSC 1W052. Also, experience performing and supervising duties involving reconnaissance, surveillance and combat enabling tasks. Experience in forecasting local area and mesoscale weather features, determining weather effects on weapons systems, and preparing and delivering weather briefings and mission execution forecasts.

3.4.3. 1W092. Qualification in and possession of AFSC 1W072. Also, experience managing operations involving reconnaissance, surveillance, combat enabling tasks, managing personnel, providing reconnaissance leadership and training, tailoring unit capabilities, and managing reconnaissance resources to meet mission requirements.

3.5. Other. The following are mandatory as indicated:

3.5.1. For entry into this specialty:

3.5.1.1. Ability to speak English distinctly.

★3.5.1.2. Successful completion of the physical ability and stamina test (PAST).

3.5.1.3. See attachment 4 for additional entry requirements.

3.5.2. For entry, award, and retention of AFSCs 1W012/32/52/72/92:

3.5.2.1. Physical qualification for parachute duty IAW AFI 48-123, *Medical Examinations and Standards*.

3.5.2.2. Visual acuity correctable to 20/20.

3.5.2.3. Normal color vision and depth perception as defined in AFI 48-123.

★3.5.3. For entry, award and retention of AFSCs 1W032/52/72/92:

3.5.3.1. Qualification to operate government vehicles according to AFI 24-301, *Vehicle Operations*.

3.5.3.2. Qualification, currency, and proficiency as a static line parachutist.

3.5.3.3. Qualification to bear firearms according to AFIs 31-207, *Arming and Use of Force By Air Force Personnel*; 36-2226, *Combat Arms Training and Maintenance (CATM)*; AFSOCI 36-2204, *Special Tactics Operator Training*; and AFSOCI 36-2206, *Command Job Qualification Standard (CJQS) For Weather Personnel*.

3.5.3.4. Specialty requires routine access to Secret material or similar environment. Award and retention of AFSCs requires completion of a current National Agency Check, Local Agency Checks and Credit (NACLC) according to AFI 31-501, *Personnel Program Management*.

3.5.4. For award and retention of AFSCs 1W052/72/92, must maintain an Air Force Network License according to AFI 33-115, Vol 2, *Licensing Network Users and Certifying Network Professionals*.

**NOTE:** Award of the 3-skill level without a completed NACLC is authorized provided an interim Secret security clearance has been granted according to AFI 31-501.

**AFSC 1W092, Superintendent**  
**AFSC 1W072, Craftsman**  
**AFSC 1W052, Journeyman**  
**AFSC 1W032, Apprentice**  
**AFSC 1W012, Helper**

**SPECIAL OPERATIONS WEATHER**  
**(Changed 30 Apr 13, ★Effective 23 Oct 12, ★★Effective 5 Dec 12)**

**1. Specialty Summary.** Performs, plans, leads, supervises, instructs, and evaluates Special Operations Weather Teams. May be employed alone or as part of an Air Force, joint, interagency or coalition force, to support Combatant Commander's objectives and may operate under austere conditions for extended periods. Capable of operating in the six geographic disciplines: mountain, desert, arctic, urban, jungle and water, day or night, to include friendly, denied, hostile, or sensitive areas. Provides tactical-level intelligence, surveillance and reconnaissance to enable decision superiority and application of airpower across the full spectrum of military operations. Performs and manages the collection, analysis, and forecast of meteorological, oceanographic and space environmental conditions. Tailors forecast information for integration into military decision-making and intelligence preparation of the battlespace activities. Related DoD Occupational Subgroup: 142000.

**2. Duties and Responsibilities:**

- 2.1. Collect, analyze, tailor and integrate meteorological, oceanographic and space environmental information from data sparse, non-permissive, hostile and data denied areas into military decision-making processes.
- 2.2. Observes current environmental conditions. Evaluates, records and transmits surface weather, oceanographic, geographic, riverine and space environment observations.
- 2.3. Operates atmospheric and space-sensing instruments and computer workstations to interrogate data from weather radars, meteorological satellites, and products provided by military, national, and international weather agencies.
- 2.4. Uses detailed understanding of the atmosphere and space environment to translate raw data into actionable, decision-quality environmental information.
- 2.5. Observes and forecasts meteorological and oceanographic conditions from data sparse, non-permissive, hostile and data denied locations. Issues advisories, watches and warnings to alert combatant commanders of dangerous or inclement terrestrial and space environmental events.
- 2.6. Understands war fighter tactics, techniques and procedures. Integrates weather information into the decision-making process at all levels to mitigate and exploit environmental information on operations to maximize combat power.
- 2.7. Manages environmental collection operations, ensures quality, and adapts and manages resources to meet mission requirements.
- 2.8. Recognizes and exploits environmental analysis and data to enhance training and combat operations.
- 2.9. Performs tactical mission planning and preparation. Participates in Military Decision Making Process. Briefs joint force commanders and staff on environmental predictions affecting operations. Prepares personnel and equipment for military operations.
- 2.10. Conducts reconnaissance and surveillance of routes, areas, zones and objectives of interest. Operates, emplaces and services ground based sensors and utilizes unmanned aerial systems to support reconnaissance. Reports current battlefield information.
- 2.11. Deploys into semi- and non-permissive forward areas and forward operating locations by land (mounted, special purpose vehicle or dismounted), sea (surface or subsurface naval vessel, small watercraft, or surface swim) or air (parachute, airmobile, air-land) to participate in the full spectrum of military operations to include air expeditionary force, force projection, direct action, counterterrorism, counter-proliferation, foreign internal defense, humanitarian assistance, special reconnaissance, personnel recovery, noncombatant evacuation operations, counter narcotic, operational preparation of the environment, and advanced force operations. Uses demolitions to create or remove obstacles to maneuver and to prepare tactical sites. Maintains qualification on primary assigned weapons.

**3. Specialty Qualifications.**

3.1. Knowledge. This specialty requires knowledge of: mission planning and preparation; reconnaissance principles and procedures; aircraft flight characteristics; map, aeronautical chart, and publication use; survival techniques; night vision equipment, GPS and other operational equipment; joint service operations; navigation techniques; movement and route selection; alternate insertion and extraction methods; parachute procedures and equipment; small unit tactics; amphibious operations; small arms and crew served weaponry; destructive demolition applications; communications and signaling; antenna theory; photographic documentation; legal responsibilities and ethics; vehicle operations; individual fitness; characteristics and principles of the terrestrial and space environments; observation, analysis, prediction, and integration of terrestrial and space environment information with and without detailed data; operation and operator maintenance of fixed and deployable meteorological and space weather instruments and systems; operation and operator maintenance of



communications and computer systems; use of weather products from operational and strategic centers; and military weapons systems and decision-making processes.

3.2. Education. For entry into this specialty, a high school diploma or equivalent is required. Courses in physics, chemistry, earth sciences, geography, computer sciences, and mathematics are desirable.

3.3. Training. For award of AFSC 1W032, completion of the following formal courses is mandatory:

3.3.1. Special Operations Weather Selection Course.

3.3.2. Special Operations Weather Course.

3.3.3. Airborne (Static-line Parachutist).

3.3.4. Level C Survival, Evasion, Resistance and Escape training.

3.3.5. Water Survival Course.

3.3.6. Underwater Egress Training Course.

3.3.7. Special Operations Weather Apprentice Course.

3.4. Experience. The following experience is mandatory for award of the 1W0X2 AFSC indicated:

3.4.1. 1W052. Qualification in and possession of AFSC 1W032. Also, experience in reconnaissance surveillance, combat enabling tasks, experience in collecting and analyzing environmental data, performing meteorological watch, preparing forecast products and briefings, and issuing weather watches, warnings, and advisories.

3.4.2. 1W072. Qualification in and possession of AFSC 1W052. Also, experience performing and supervising duties involving reconnaissance, surveillance and combat enabling tasks. Experience in forecasting local area and mesoscale weather features, determining weather effects on weapons systems, and preparing and delivering weather briefings and mission execution forecasts.

3.4.3. 1W092. Qualification in and possession of AFSC 1W072. Also, experience managing operations involving reconnaissance, surveillance, combat enabling tasks, managing personnel, providing reconnaissance leadership and training, tailoring unit capabilities, and managing reconnaissance resources to meet mission requirements.

3.5. Other. The following are mandatory as indicated:

3.5.1. For entry into this specialty:

3.5.1.1. Ability to speak English distinctly.

3.5.1.2. Successful completion of the Special Operations Weather physical ability and stamina test (PAST) located at [HQ AETC/A3T Portal page](#).

3.5.1.3. See attachment 4 for additional entry requirements.

3.5.2. For entry, award, and retention of AFSCs 1W012/32/52/72/92:

3.5.2.1. Physical qualification for parachute duty IAW AFI 48-123, *Medical Examinations and Standards*.

3.5.2.2. Visual acuity correctable to 20/20 IAW AFI 48-123.

3.5.2.3. Demonstrate normal color vision and depth perception as defined in AFI 48-123. For color vision, PIP I (minimum passing score 12/14, tested monocularly), PIP II (minimum passing score 9/10, tested monocularly). Must be performed monocularly under an approved and standardized illuminant (i.e., MacBeth easel lamp with a 100 watt light bulb or a True Daylight AE lamp from Richmond Products). For depth perception, failure of either the Vision Test Apparatus (VTA-DP), or its newer replacement, the OVT is considered disqualifying if the failure occurs with best corrected visual acuity regardless of level of uncorrected visual acuity.

3.5.3. For entry, award and retention of AFSCs 1W032/52/72/92:

★3.5.3.1. Must possess a valid state driver's license to operate government motor vehicles (GMV) in accordance with AFI 24-301, *Vehicle Operations*.

3.5.3.2. Qualification, currency, and proficiency as a static line parachutist.

★★3.5.3.3. Qualification to bear firearms according to AFIs 31-117, *Arming and Use of Force By Air Force Personnel*; 36-2226, *Combat Arms Program*; and AFI 15-135, Volume I, *Special Operations Weather Training*.

3.5.3.4. Physical qualification and maintenance of personal physical standards as defined in AFI 15-135 Vol 2, *Special Operations Weather Standardization and Evaluation*.

3.5.4. For award and retention of these AFSCs, must maintain an Air Force Network License according to AFI 33-115, Vol 2, *Licensing Network Users and Certifying Network Professionals*.

3.5.5. Specialty requires routine access to Secret material or similar environment. Award and retention of AFSCs requires completion of a current National Agency Check, Local Agency Checks and Credit (NACLC) according to AFI 31-501, *Personnel Program Management*.

**NOTE:** Award of the 3-skill level without a completed NACLC is authorized provided an interim Secret security clearance has been granted according to AFI 31-501.

**AFSC 1W092, Superintendent**  
**AFSC 1W072, Craftsman**  
**AFSC 1W052, Journeyman**  
**AFSC 1W032, Apprentice**  
**AFSC 1W012, Helper**

**SPECIAL OPERATIONS WEATHER**  
**(Changed 31 Oct 14, Effective 15 Aug 14)**

**1. Specialty Summary.** Performs, plans, leads, supervises, instructs, and evaluates Special Operations Weather Teams. May be employed alone or as part of an Air Force, joint, interagency or coalition force, to support Combatant Commander's objectives and may operate under austere conditions for extended periods. Capable of operating in the six geographic disciplines: mountain, desert, arctic, urban, jungle and water, day or night, to include friendly, denied, hostile, or sensitive areas. Provides tactical-level intelligence, surveillance and reconnaissance to enable decision superiority and application of airpower across the full spectrum of military operations. Performs and manages the collection, analysis, and forecast of meteorological, oceanographic and space environmental conditions. Tailors forecast information for integration into military decision-making and intelligence preparation of the battlespace activities. Related DoD Occupational Subgroup: 142000.

**2. Duties and Responsibilities:**

- 2.1. Collect, analyze, tailor and integrate meteorological, oceanographic and space environmental information from data sparse, non-permissive, hostile and data denied areas into military decision-making processes.
- 2.2. Observes current environmental conditions. Evaluates, records and transmits surface weather, oceanographic, geographic, riverine and space environment observations.
- 2.3. Operates atmospheric and space-sensing instruments and computer workstations to interrogate data from weather radars, meteorological satellites, and products provided by military, national, and international weather agencies.
- 2.4. Uses detailed understanding of the atmosphere and space environment to translate raw data into actionable, decision-quality environmental information.
- 2.5. Observes and forecasts meteorological and oceanographic conditions from data sparse, non-permissive, hostile and data denied locations. Issues advisories, watches and warnings to alert combatant commanders of dangerous or inclement terrestrial and space environmental events.
- 2.6. Understands war fighter tactics, techniques and procedures. Integrates weather information into the decision-making process at all levels to mitigate and exploit environmental information on operations to maximize combat power.
- 2.7. Manages environmental collection operations, ensures quality, and adapts and manages resources to meet mission requirements.
- 2.8. Recognizes and exploits environmental analysis and data to enhance training and combat operations.
- 2.9. Performs tactical mission planning and preparation. Participates in Military Decision Making Process. Briefs joint force commanders and staff on environmental predictions affecting operations. Prepares personnel and equipment for military operations.
- 2.10. Conducts reconnaissance and surveillance of routes, areas, zones and objectives of interest. Operates, emplaces and services ground based sensors and utilizes unmanned aerial systems to support reconnaissance. Reports current battlefield information.
- 2.11. Deploys into semi- and non-permissive forward areas and forward operating locations by land (mounted, special purpose vehicle or dismounted), sea (surface or subsurface naval vessel, small watercraft, or surface swim) or air (parachute, airmobile, air-land) to participate in the full spectrum of military operations to include air expeditionary force, force projection, direct action, counterterrorism, counter-proliferation, foreign internal defense, humanitarian assistance, special reconnaissance, personnel recovery, noncombatant evacuation operations, counter narcotic, operational preparation of the environment, and advanced force operations. Uses demolitions to create or remove obstacles to maneuver and to prepare tactical sites. Maintains qualification on primary assigned weapons.

**3. Specialty Qualifications.**

- 3.1. Knowledge. This specialty requires knowledge of: mission planning and preparation; reconnaissance principles and procedures; aircraft flight characteristics; map, aeronautical chart, and publication use; survival techniques; night vision equipment, GPS and other operational equipment; joint service operations; navigation techniques; movement and route selection; alternate insertion and extraction methods; parachute procedures and equipment; small unit tactics; amphibious operations; small arms and crew served weaponry; destructive demolition applications; communications and signaling; antenna theory; photographic documentation; legal responsibilities and ethics; vehicle operations; individual fitness; characteristics and principles of the terrestrial and space environments; observation, analysis, prediction, and integration of terrestrial and space environment information with and without detailed data; operation and operator maintenance of fixed and deployable meteorological and space weather instruments and systems; operation and operator maintenance of communications and computer systems; use of weather products from operational and strategic centers; and military weapons systems and decision-making processes.
- 3.2. Education. For entry into this specialty, a high school diploma or equivalent is required. Courses in physics, chemistry, earth sciences, geography, computer sciences, and mathematics are desirable.
- 3.3. Training. For award of AFSC 1W032, completion of the following formal courses is mandatory:
  - 3.3.1. Special Operations Weather Selection Course.
  - 3.3.2. Special Operations Weather Course.

- 3.3.3. U.S. Army Basic Airborne Course (Static-Line Parachutist).
  - 3.3.4. Level C Survival, Evasion, Resistance and Escape training.
  - 3.3.5. Water Survival Course.
  - 3.3.6. Underwater Egress Training Course.
  - 3.3.7. Special Operations Weather Apprentice Course.
  - 3.4. Experience. The following experience is mandatory for award of the 1W0X2 AFSC indicated:
    - 3.4.1. 1W052. Qualification in and possession of AFSC 1W032. Qualification as Military Freefall (MFF) Parachutist per AFI 11-410, *Personnel Parachute Operations*. Also, experience in reconnaissance surveillance, combat enabling tasks, experience in collecting and analyzing environmental data, performing meteorological watch, preparing forecast products and briefings, and issuing weather watches, warnings, and advisories.
    - 3.4.2. 1W072. Qualification in and possession of AFSC 1W052. Also, experience performing and supervising duties involving reconnaissance, surveillance and combat enabling tasks. Experience in forecasting local area and mesoscale weather features, determining weather effects on weapons systems, and preparing and delivering weather briefings and mission execution forecasts.
    - 3.4.3. 1W092. Qualification in and possession of AFSC 1W072. Also, experience managing operations involving reconnaissance, surveillance, combat enabling tasks, managing personnel, providing reconnaissance leadership and training, tailoring unit capabilities, and managing reconnaissance resources to meet mission requirements.
  - 3.5. Other. The following are mandatory as indicated:
    - 3.5.1. **For entry into this specialty:**
      - 3.5.1.1. Ability to speak English distinctly.
      - 3.5.1.2. **Successful completion of the Special Operations Weather physical ability and stamina test (PAST) located at [HQ AETC/A3T Portal page](#).**
      - 3.5.1.3. Minimum score of 30 required on SOWT selection model completed in Tailored Adaptive Personality Assessment System (TAPAS).
      - 3.5.1.4. See attachment 4 for additional entry requirements.
    - 3.5.2. For entry, award, and retention of AFSCs 1W012/32/52/72/92:
      - 3.5.2.1. **Physical qualification and maintenance of physical standards for special operations to include parachute duties (Static-Line, Military Freefall, etc.) and Flying Class III IAW AFI 48-123, *Medical Examinations and Standards* and AFI 15-135V2, *Special Operations Weather Standardization and Evaluation*.**
      - 3.5.2.2. Must possess a valid state driver's license to operate government motor vehicles (GMV) in accordance with AFI 24-301, *Vehicle Operations*.
      - 3.5.2.3. Qualification to bear firearms according to AFIs 31-117, *Arming and Use of Force By Air Force Personnel*; 36-2226, *Combat Arms Program*; and AFI 15-135, Volume I, *Special Operations Weather Training*.
    - 3.5.3. **For award and retention of these AFSCs:**
      - 3.5.3.1. **Must maintain qualifications for Special Operations Weather Team IAW AFI 15-135V1, *Special Operations Weather Training*.**
      - 3.5.3.2. **Must maintain local network access IAW AFMANs 33-152, *User Responsibilities and Guidance for Information Systems* and 33-282, *Computer Security*.**
      - 3.5.3.3. Qualification, currency, and proficiency in military parachute operations IAW AFI 11-410, *Personal Parachute Operations*.
    - 3.5.4. Specialty requires routine access to Secret material or similar environment. Award and retention of AFSCs requires completion of a current National Agency Check, Local Agency Checks and Credit (NACLC) according to AFI 31-501, *Personnel Program Management*.
- NOTE:** Award of the 3-skill level without a completed NACLC is authorized provided an interim Secret security clearance has been granted according to AFI 31-501.

**AFSC 1W092, Superintendent**  
**AFSC 1W072, Craftsman**  
**AFSC 1W052, Journeyman**  
**AFSC 1W032, Apprentice**  
**AFSC 1W012, Helper**

**SPECIAL OPERATIONS WEATHER**  
**(Changed 31 Oct 14, Effective 15 Aug 14)**

**1. Specialty Summary.** Performs, plans, leads, supervises, instructs, and evaluates Special Operations Weather Teams. May be employed alone or as part of an Air Force, joint, interagency or coalition force, to support Combatant Commander's objectives and may operate under austere conditions for extended periods. Capable of operating in the six geographic disciplines: mountain, desert, arctic, urban, jungle and water, day or night, to include friendly, denied, hostile, or sensitive areas. Provides tactical-level intelligence, surveillance and reconnaissance to enable decision superiority and application of airpower across the full spectrum of military operations. Performs and manages the collection, analysis, and forecast of meteorological, oceanographic and space environmental conditions. Tailors forecast information for integration into military decision-making and intelligence preparation of the battlespace activities. Related DoD Occupational Subgroup: 142000.

**2. Duties and Responsibilities:**

- 2.1. Collect, analyze, tailor and integrate meteorological, oceanographic and space environmental information from data sparse, non-permissive, hostile and data denied areas into military decision-making processes.
- 2.2. Observes current environmental conditions. Evaluates, records and transmits surface weather, oceanographic, geographic, riverine and space environment observations.
- 2.3. Operates atmospheric and space-sensing instruments and computer workstations to interrogate data from weather radars, meteorological satellites, and products provided by military, national, and international weather agencies.
- 2.4. Uses detailed understanding of the atmosphere and space environment to translate raw data into actionable, decision-quality environmental information.
- 2.5. Observes and forecasts meteorological and oceanographic conditions from data sparse, non-permissive, hostile and data denied locations. Issues advisories, watches and warnings to alert combatant commanders of dangerous or inclement terrestrial and space environmental events.
- 2.6. Understands war fighter tactics, techniques and procedures. Integrates weather information into the decision-making process at all levels to mitigate and exploit environmental information on operations to maximize combat power.
- 2.7. Manages environmental collection operations, ensures quality, and adapts and manages resources to meet mission requirements.
- 2.8. Recognizes and exploits environmental analysis and data to enhance training and combat operations.
- 2.9. Performs tactical mission planning and preparation. Participates in Military Decision Making Process. Briefs joint force commanders and staff on environmental predictions affecting operations. Prepares personnel and equipment for military operations.
- 2.10. Conducts reconnaissance and surveillance of routes, areas, zones and objectives of interest. Operates, emplaces and services ground based sensors and utilizes unmanned aerial systems to support reconnaissance. Reports current battlefield information.
- 2.11. Deploys into semi- and non-permissive forward areas and forward operating locations by land (mounted, special purpose vehicle or dismounted), sea (surface or subsurface naval vessel, small watercraft, or surface swim) or air (parachute, airmobile, air-land) to participate in the full spectrum of military operations to include air expeditionary force, force projection, direct action, counterterrorism, counter-proliferation, foreign internal defense, humanitarian assistance, special reconnaissance, personnel recovery, noncombatant evacuation operations, counter narcotic, operational preparation of the environment, and advanced force operations. Uses demolitions to create or remove obstacles to maneuver and to prepare tactical sites. Maintains qualification on primary assigned weapons.

**3. Specialty Qualifications.**

- 3.1. Knowledge. This specialty requires knowledge of: mission planning and preparation; reconnaissance principles and procedures; aircraft flight characteristics; map, aeronautical chart, and publication use; survival techniques; night vision equipment, GPS and other operational equipment; joint service operations; navigation techniques; movement and route selection; alternate insertion and extraction methods; parachute procedures and equipment; small unit tactics; amphibious operations; small arms and crew served weaponry; destructive demolition applications; communications and signaling; antenna theory; photographic documentation; legal responsibilities and ethics; vehicle operations; individual fitness; characteristics and principles of the terrestrial and space environments; observation, analysis, prediction, and integration of terrestrial and space environment information with and without detailed data; operation and operator maintenance of fixed and deployable meteorological and space weather instruments and systems; operation and operator maintenance of communications and computer systems; use of weather products from operational and strategic centers; and military weapons systems and decision-making processes.
- 3.2. Education. For entry into this specialty, a high school diploma or equivalent is required. Courses in physics, chemistry, earth sciences, geography, computer sciences, and mathematics are desirable.
- 3.3. Training. For award of AFSC 1W032, completion of the following formal courses is mandatory:
  - 3.3.1. Special Operations Weather Selection Course.
  - 3.3.2. Special Operations Weather Course.

3.3.3. U.S. Army Basic Airborne Course (Static-Line Parachutist).

3.3.4. Level C Survival, Evasion, Resistance and Escape training.

3.3.5. Water Survival Course.

3.3.6. Underwater Egress Training Course.

3.3.7. Special Operations Weather Apprentice Course.

3.4. Experience. The following experience is mandatory for award of the 1W0X2 AFSC indicated:

3.4.1. 1W052. Qualification in and possession of AFSC 1W032. Qualification as Military Freefall (MFF) Parachutist per AFI 11-410, *Personnel Parachute Operations*. Also, experience in reconnaissance surveillance, combat enabling tasks, experience in collecting and analyzing environmental data, performing meteorological watch, preparing forecast products and briefings, and issuing weather watches, warnings, and advisories.

3.4.2. 1W072. Qualification in and possession of AFSC 1W052. Also, experience performing and supervising duties involving reconnaissance, surveillance and combat enabling tasks. Experience in forecasting local area and mesoscale weather features, determining weather effects on weapons systems, and preparing and delivering weather briefings and mission execution forecasts.

3.4.3. 1W092. Qualification in and possession of AFSC 1W072. Also, experience managing operations involving reconnaissance, surveillance, combat enabling tasks, managing personnel, providing reconnaissance leadership and training, tailoring unit capabilities, and managing reconnaissance resources to meet mission requirements.

3.5. Other. The following are mandatory as indicated:

3.5.1. For entry into this specialty:

3.5.1.1. Ability to speak English distinctly.

3.5.1.2. Successful completion of the Special Operations Weather physical ability and stamina test (PAST) located at [HQ AETC/A3T Portal page](#).

3.5.1.3. Minimum score of 30 required on SOWT selection model completed in Tailored Adaptive Personality Assessment System (TAPAS).

3.5.1.4. See attachment 4 for additional entry requirements.

3.5.2. For entry, award, and retention of AFSCs 1W012/32/52/72/92:

3.5.2.1. Physical qualification and maintenance of physical standards for special operations to include parachute duties (Static-Line, Military Freefall, etc.) and Flying Class III IAW AFI 48-123, *Medical Examinations and Standards* and AFI 15-135V2, *Special Operations Weather Standardization and Evaluation*.

3.5.2.2. Must possess a valid state driver's license to operate government motor vehicles (GMV) in accordance with AFI 24-301, *Vehicle Operations*.

3.5.2.3. Qualification to bear firearms according to AFIs 31-117, *Arming and Use of Force By Air Force Personnel*; 36-2226, *Combat Arms Program*; and AFI 15-135, Volume I, *Special Operations Weather Training*.

3.5.3. For award and retention of these AFSCs:

3.5.3.1. Must maintain qualifications for Special Operations Weather Team IAW AFI 15-135V1, *Special Operations Weather Training*.

3.5.3.2. Must maintain local network access IAW AFMANs 17-1201, *User Responsibilities and Guidance for Information Systems* and 17-1301, *Computer Security*.

3.5.3.3. Qualification, currency, and proficiency in military parachute operations IAW AFI 11-410, *Personal Parachute Operations*.

3.5.4. Specialty requires routine access to Secret material or similar environment. Award and retention of AFSCs requires completion of a current National Agency Check, Local Agency Checks and Credit (NACLIC) according to AFI 31-501, *Personnel Program Management*.

**NOTE:** Award of the 3-skill level without a completed NACLIC is authorized provided an interim Secret security clearance has been granted according to AFI 31-501.